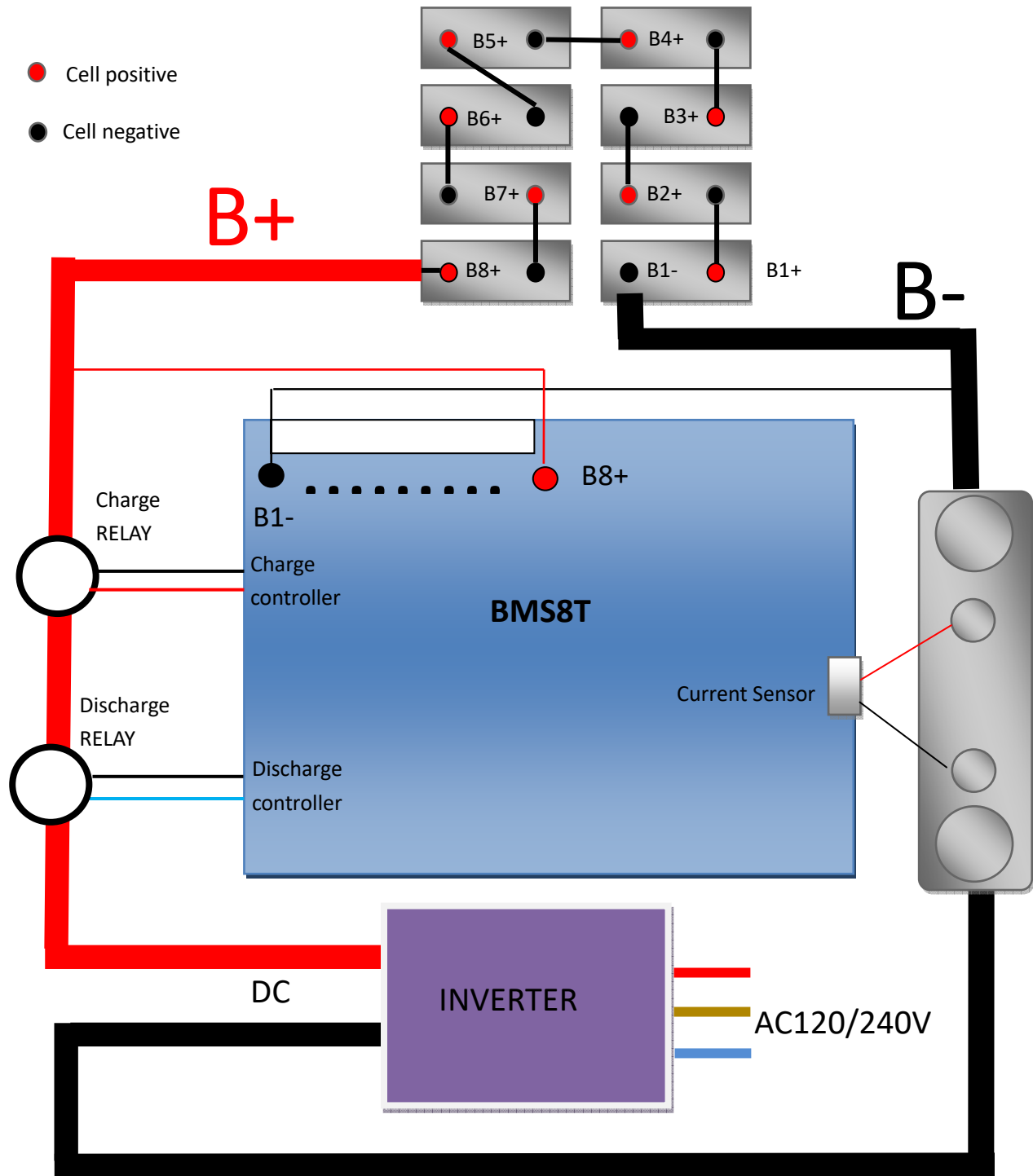


When charge and discharge use one port, the charge relay and discharge relay can be connected in series, but the charge relay must be with enough rated current that is larger than maximal discharge current.



Heavy RED wires are positive of battery pack (B+/B8+), charger and load such as motor, and heavy black wire is negative of battery pack(B-/B1-), charger and load.

Warning

Before connect the relay to charge or discharge controller, please confirm the coil of relay voltage. The BMS8T controller will output 12V to power the coil, and total current for charge and discharge relay don't be larger than 2.5A.